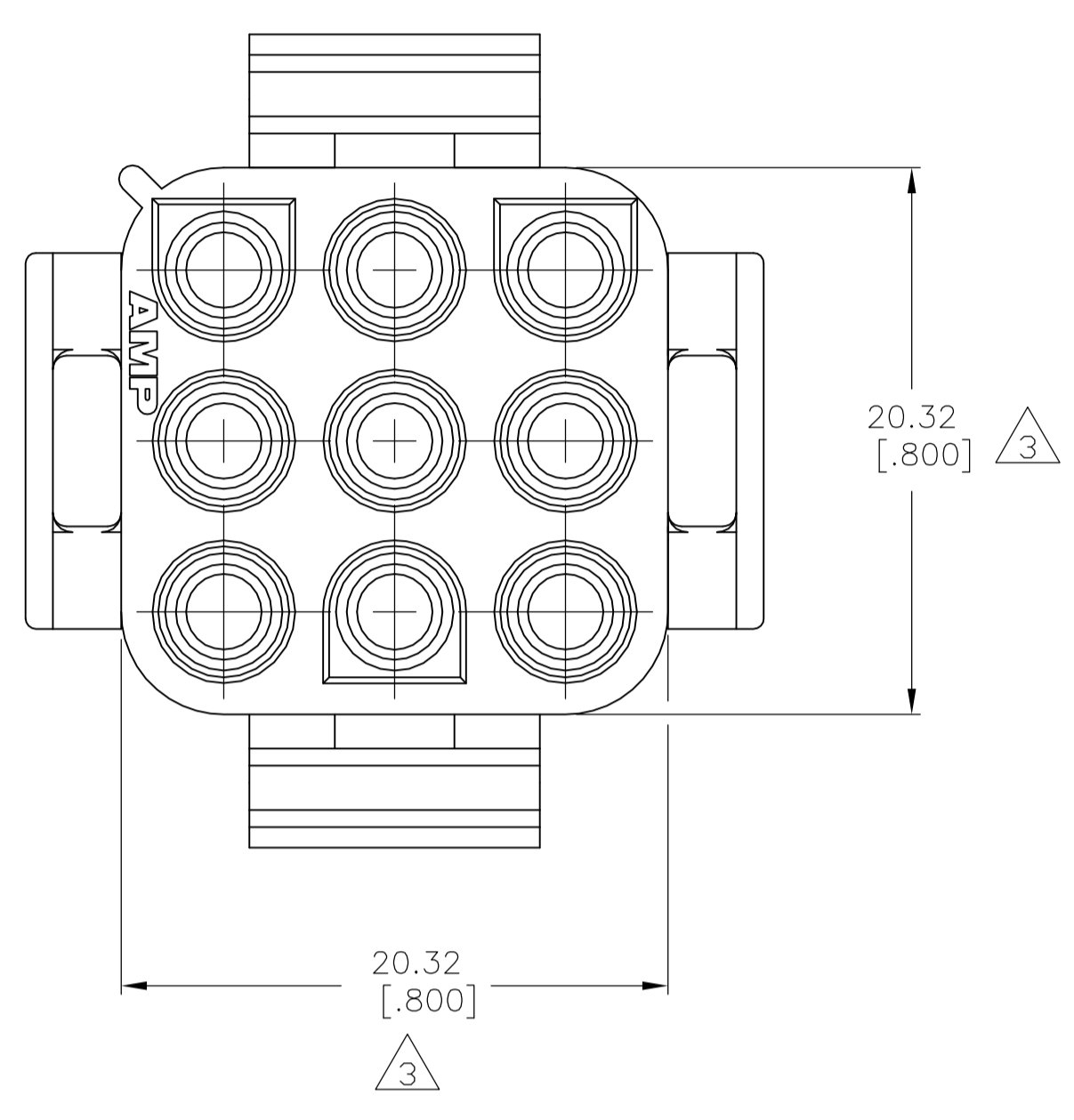
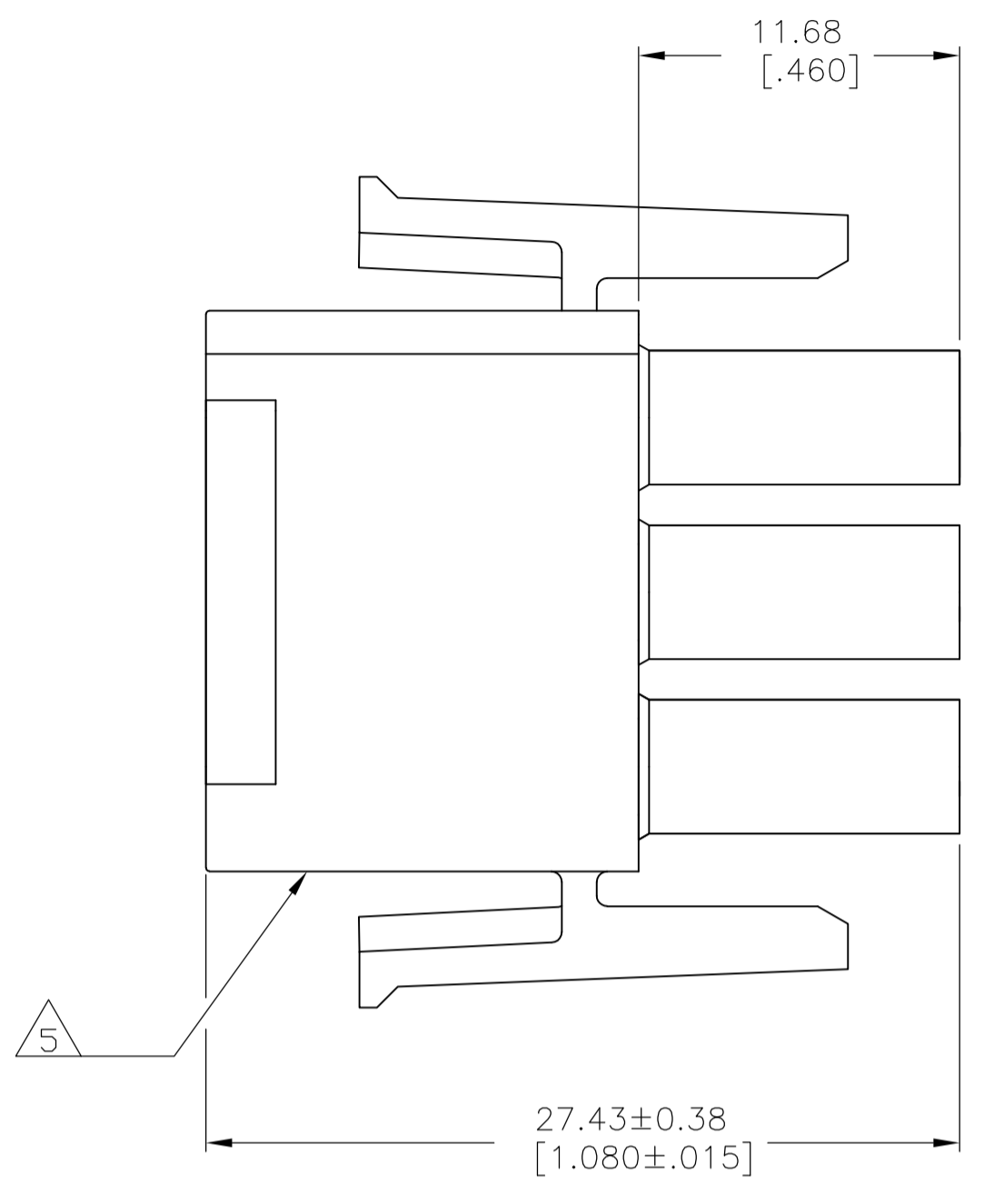
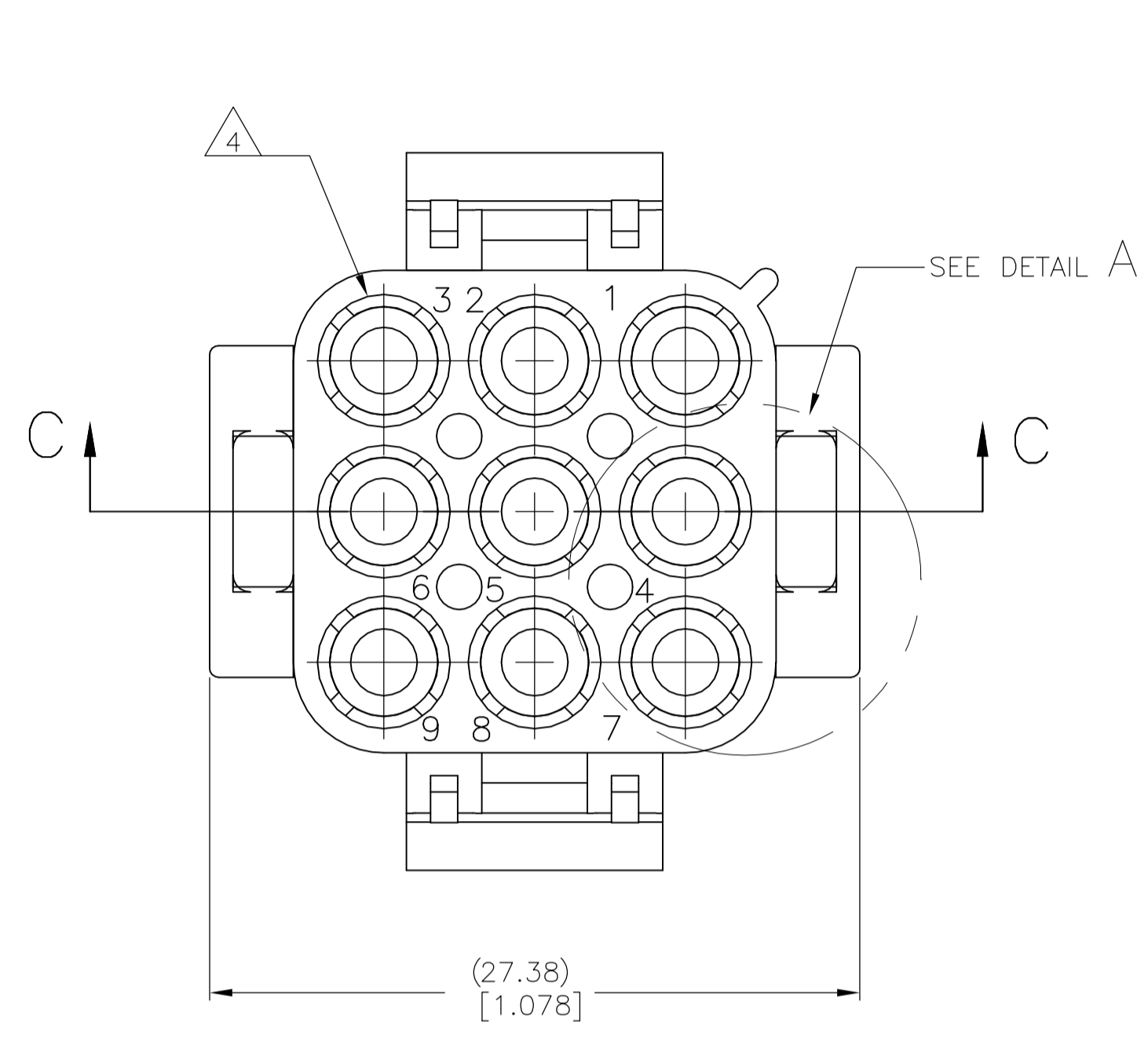
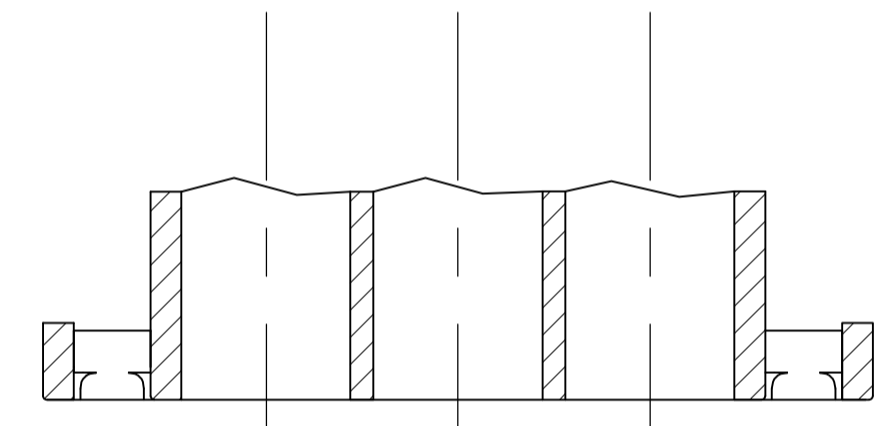


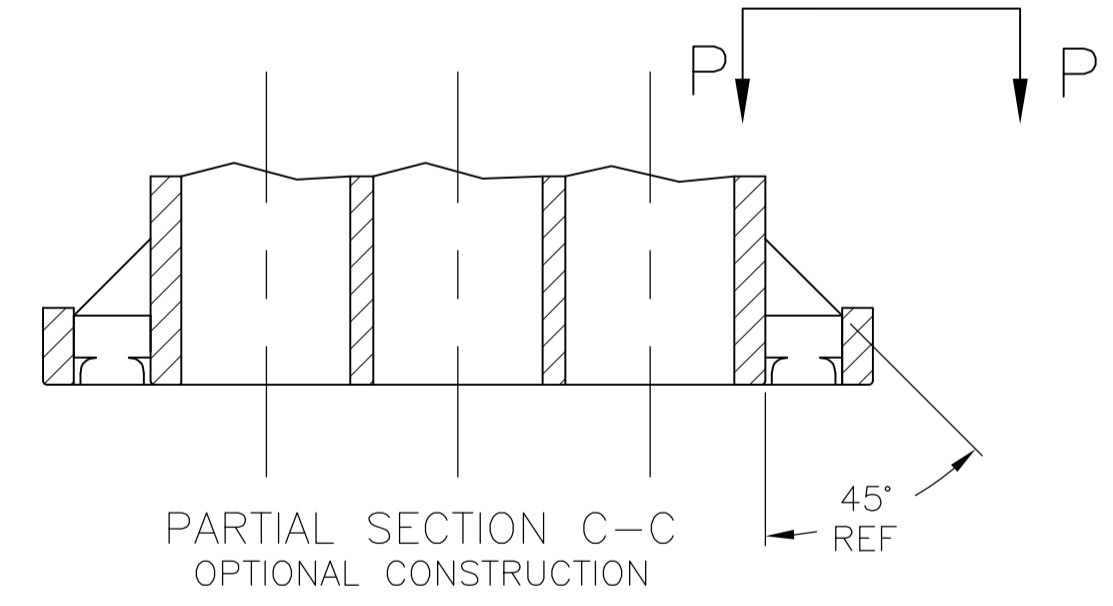
LOC		DIST		REVISIONS			
P	LTR	DESCRIPTION	DATE	DWN	APVD		
AL		REVISED PER ECO-13-000258	09JUL13	JR	TM		



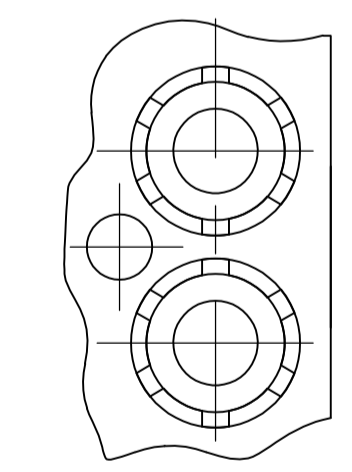
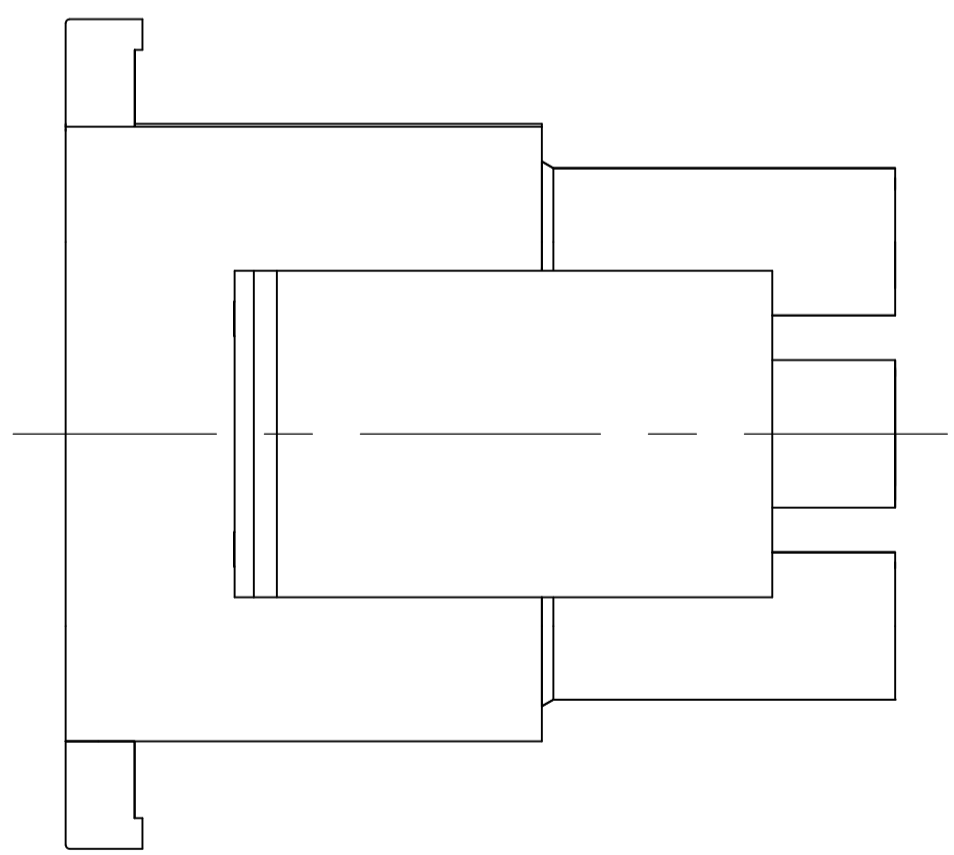
- MATES WITH APPROPRIATE UNIVERSAL MATE-N-LOK™ CAP OR HEADER.
- SMALL NICKS ARE PERMITTED ON THE CIRCUIT TOWERS WHICH COULD INCREASE THE INITIAL HOUSING MATING FORCE BY UP TO 4.4 NEWTONS [1.0 LBS]. NO INDIVIDUAL NICKED TOWER SHALL INCREASE THIS FORCE BY OVER 2.2 NEWTONS [.5 LBS].
- DIMENSION INDICATED IS AS MOLDED. ADDITIONAL GROWTH DUE TO SUBSEQUENT MOISTURE ABSORPTION MAY OCCUR.
- FOUR RIBS EQUALLY SPACED, NO SPECIFIC ORIENTATION, OR SIX RIBS EQUALLY SPACED, NO SPECIFIC ORIENTATION, OPTIONAL.
- UNDERWRITERS RECOGNIZED COMPONENT LOGO AND CSA CERTIFICATION LOGO TO BE LOCATED ONCE EACH ON SIDE OF HOUSING.
- OBSOLETE PARTS: OBSOLETE CIS STREAMLINING PER D.RENAUD/D.SINISI



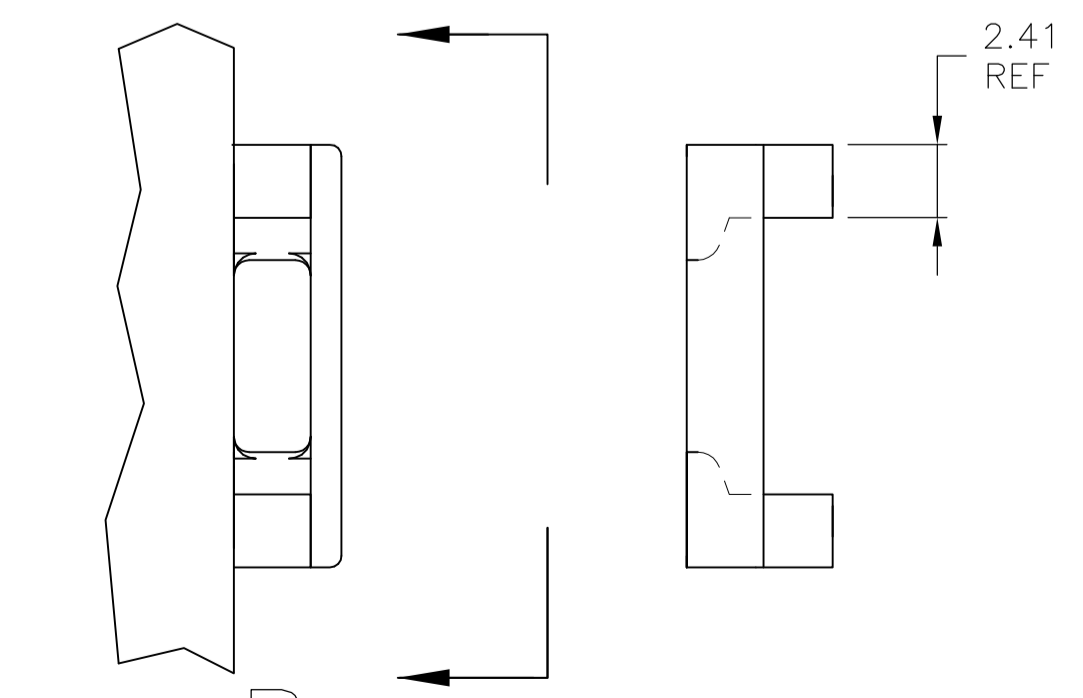
PARTIAL SECTION C-C



PARTIAL SECTION C-C
OPTIONAL CONSTRUCTION



PARTIAL DETAIL A
OPTIONAL CONSTRUCTIONS



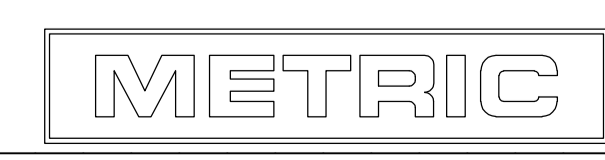
VIEW P
OPTIONAL CONSTRUCTIONS

OBSELETE	COLOR	PART NO.
6	BLACK	1-480706-9
6	GRAY	1-480706-8
6	BLUE	1-480706-6
6	GREEN	1-480706-5
6	YELLOW	1-480706-4
6	ORANGE	1-480706-3
6	RED	1-480706-2
6	BROWN	1-480706-1
6	NATURAL	1-480706-0
	COLOR	PART NO.

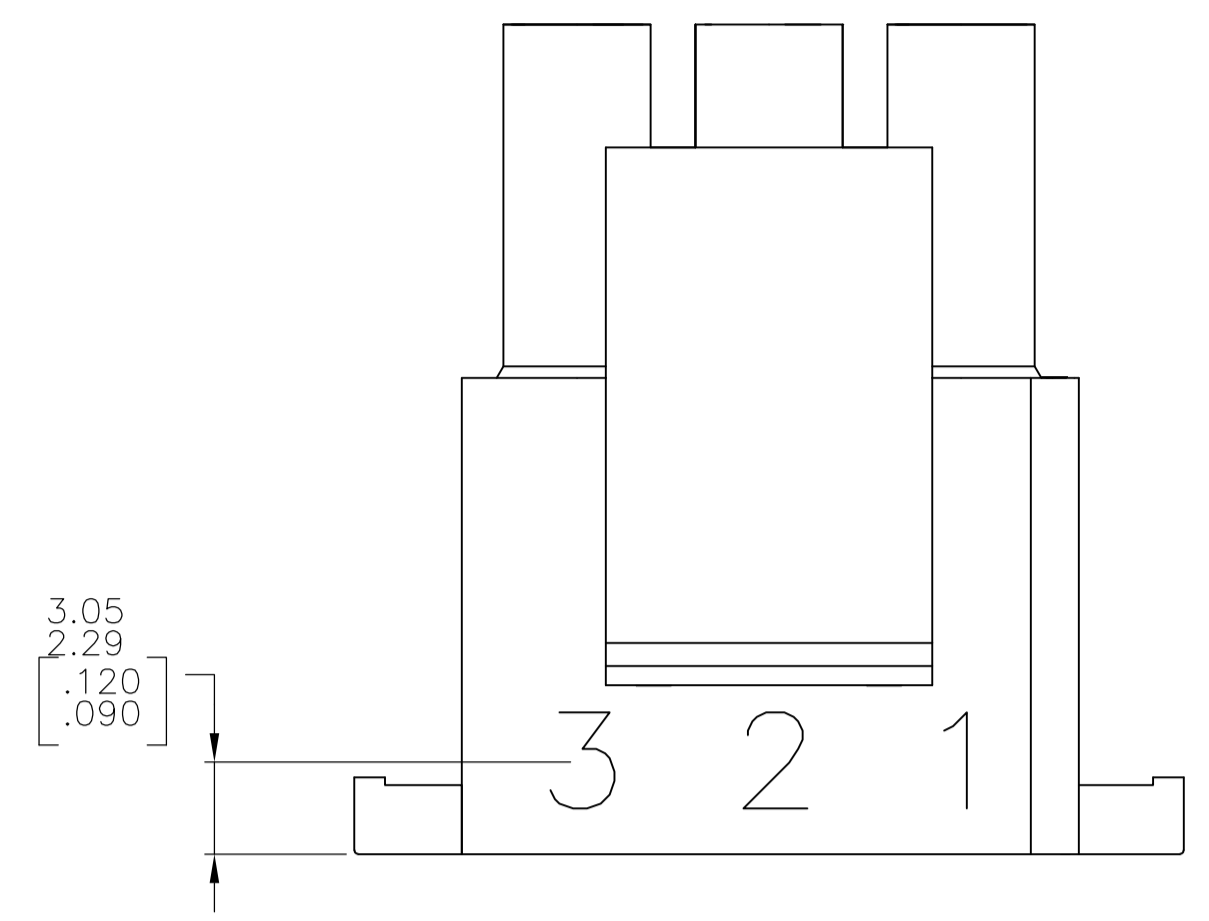
THIS DRAWING IS A CONTROLLED DOCUMENT.

DIMENSIONS: mm [INCHES]	TOLERANCES UNLESS OTHERWISE SPECIFIED:	DIN K. WHITAKER 01SEP04	APVD S. RIDGILL 01SEP04	NAME PLUG, 9 CIRCUIT, UNIVERSAL MATE-N-LOK™
0. PLC ± -	1. PLC ± -	CHK S. RIDGILL 01SEP04	APVD S. RIDGILL 01SEP04	RESTRICTED TO
2. PLC ± 0.13 [.005]	3. PLC ± -	PRODUCT SPEC	APPLICATION SPEC	SIZE A1
4. PLC ± -	ANGLES ± 0.30°	FINISH	WEIGHT	CAGE CODE 480706
MATERIAL NYLON, UL94V-2	FINISH	SCALE 4:1	SHEET 1 OF 2	REV AL

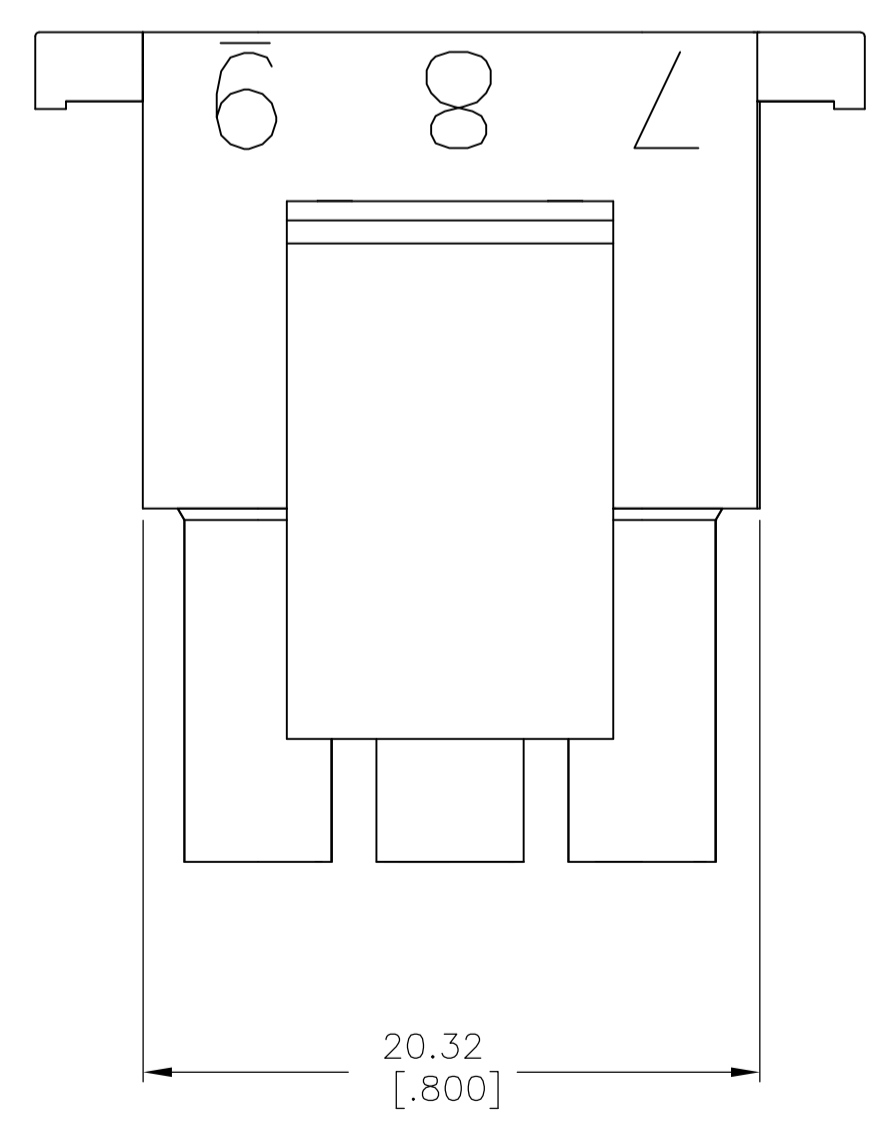
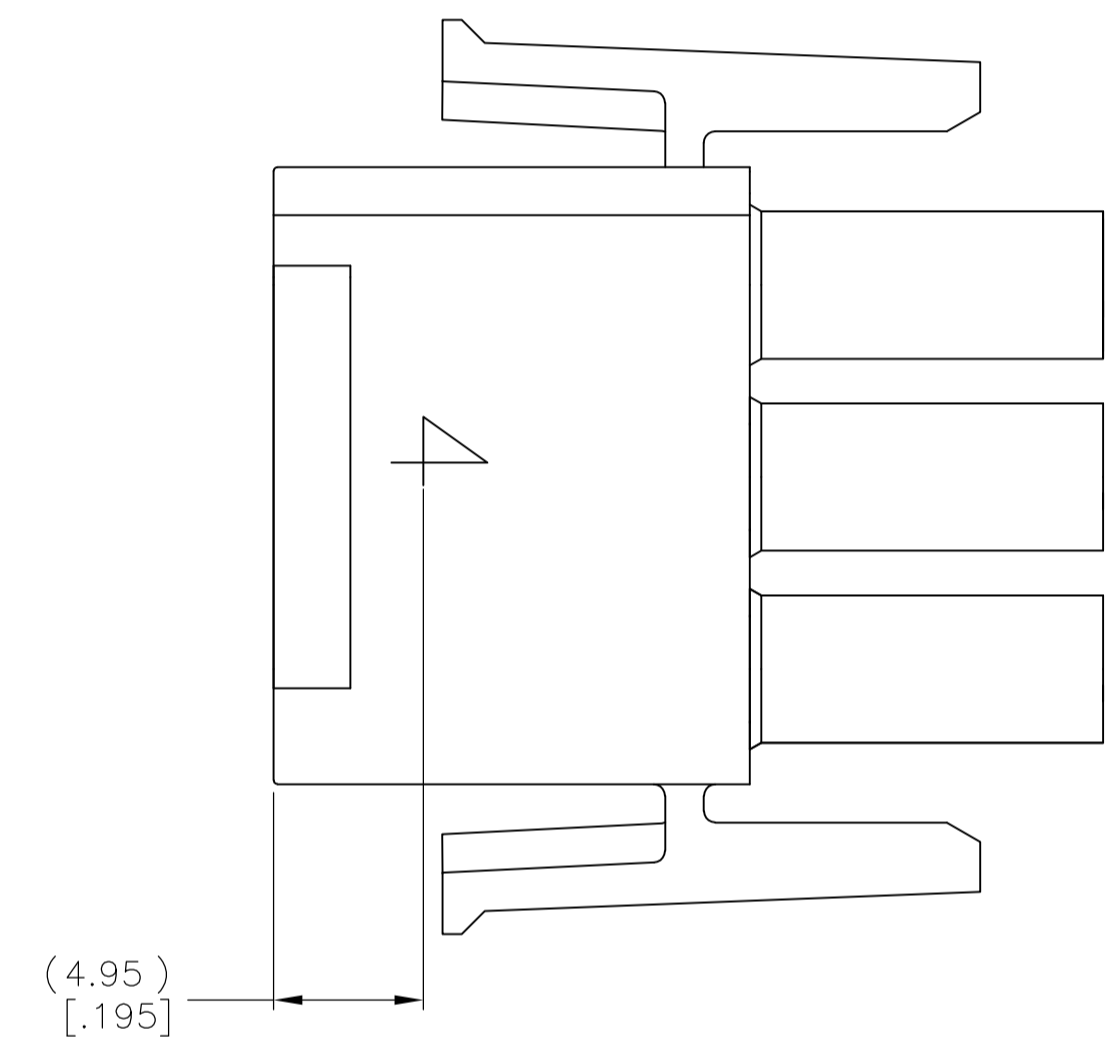
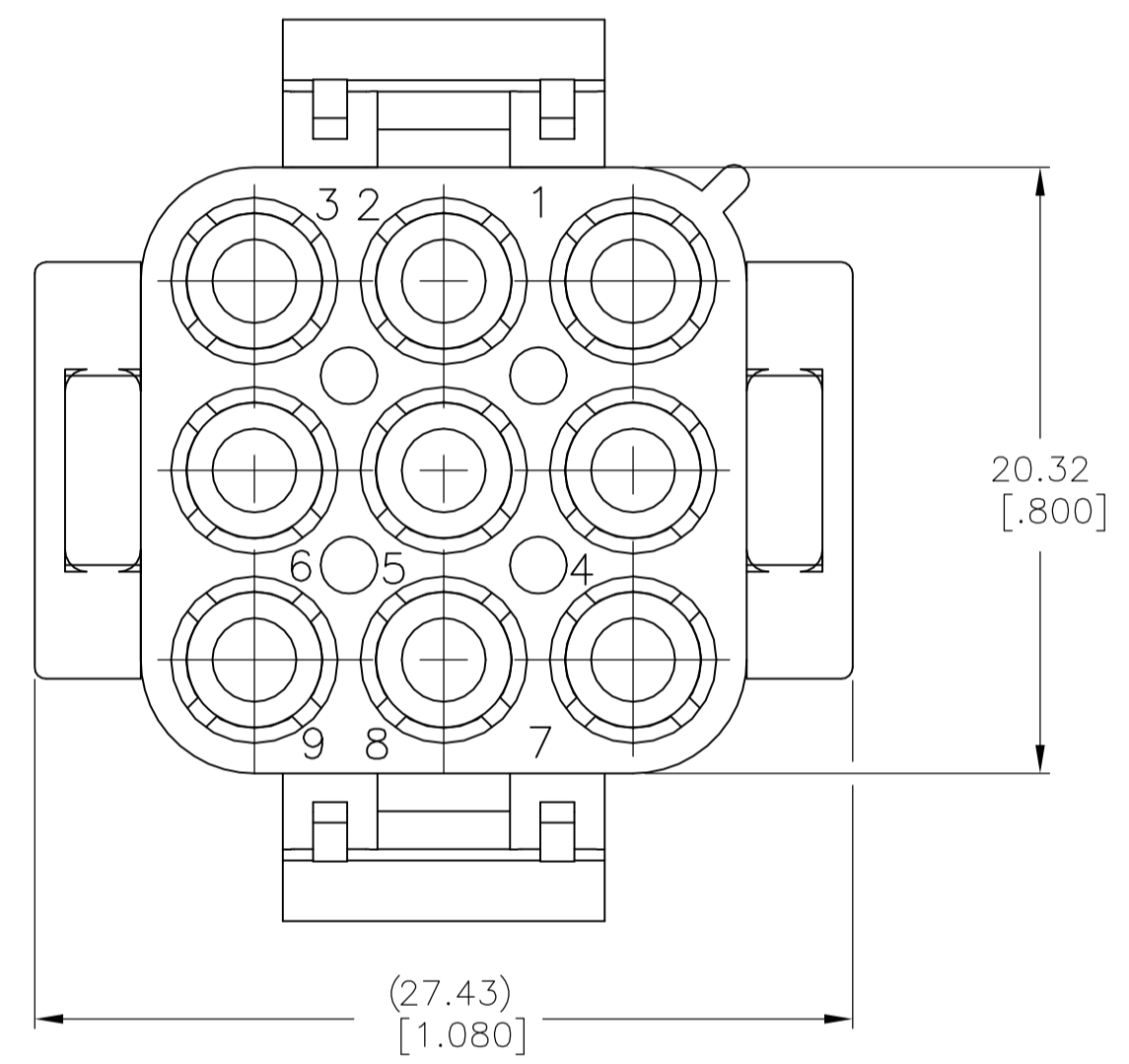
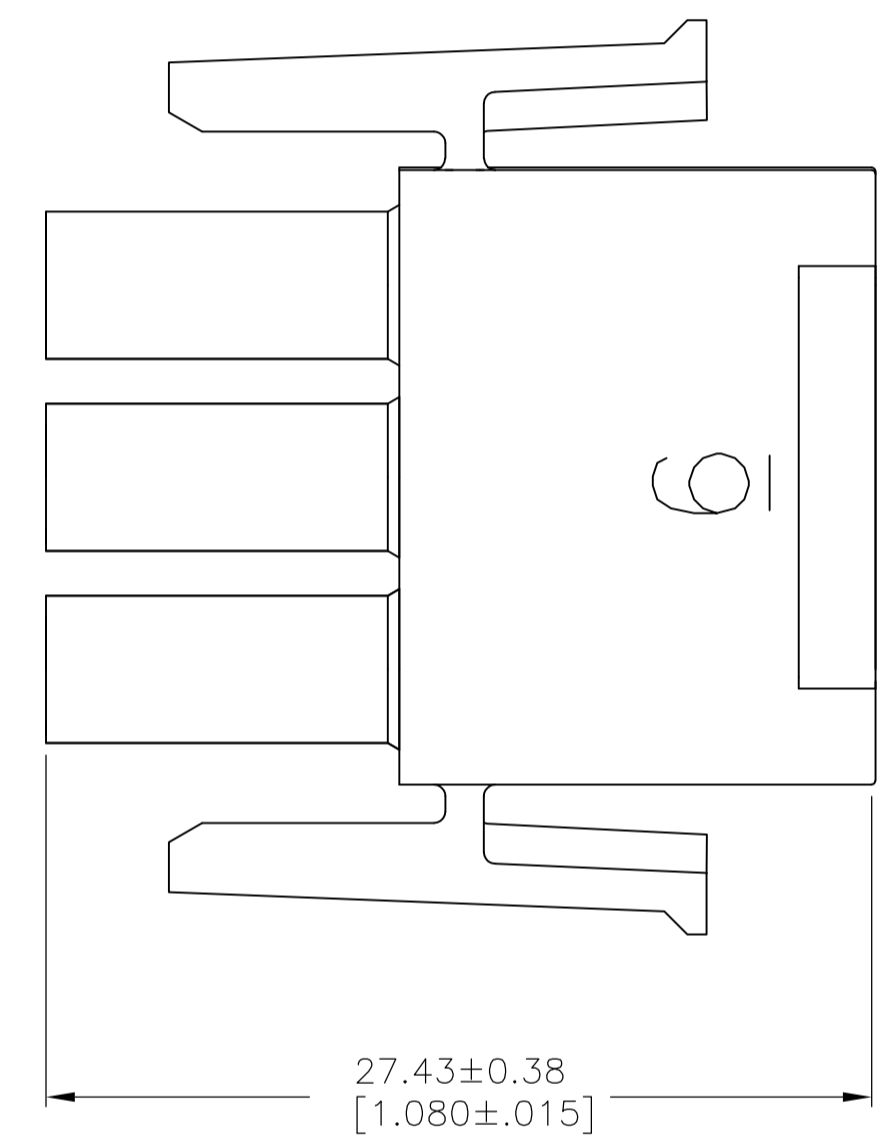
CUSTOMER DRAWING



LOC		DIST		REVISIONS				
P	LTR	DESCRIPTION	DATE	DN	APVD			
CM	00	SEE SHEET 1						



1. STAMP NUMBERS 3.18 [.125] HIGH AT WIRE END OF HOUSING (12 POINT DAVID TYPE).
2. CHARACTERS TO BE POSITIONED ON HOUSING TO BE READ FROM WIRE END ONLY.
3. VIOLET, BLACK, BROWN, AND BLUE COLORED BLOCKS TO BE STAMPED WITH WHITE CHARACTERS. ALL OTHER COLORED BLOCKS TO BE STAMPED WITH BLACK CHARACTERS.



NATURAL COLOR	2-480706-0 PART NUMBER
---------------	------------------------

THIS DRAWING IS A CONTROLLED DOCUMENT.		DIN K. WHITAKER 01SEP2004		NATURE	
DIMENSIONS: mm [INCHES]		CHK S. RIDGILL 01SEP2004		COLOR	
TOLERANCES UNLESS OTHERWISE SPECIFIED:		APVD S. RIDGILL 01SEP2004		NAME	
0 PLC	± -	PRODUCT SPEC		PLUG, 9 CIRCUIT, UNIVERSAL MATE-N-LOK	
1 PLC	± -	APPLICATION SPEC		SIZE	
2 PLC	± 0.13 [.005]	WEIGHT		CAGE CODE	
3 PLC	± -	CUSTOMER DRAWING		DRAWING NO	
4 PLC	± -	SCALE		RESTRICTED TO	
ANGLES	± 0.30°	4:1		SHEET 2 OF 2	
MATERIAL	FINISH	A1 00779		REV AL	
		C=480706			

METRIC